

Turbine Series - 900/1000MA-MAM

FUEL

Specifications: Diesel Applications

Height: 900MA: 16.2" (41.9 cm) MAM: 15.9" (41.9 cm)
1000MA: 22.0" (55.4 cm) MAM: 21.8" (55.4 cm)

Width: 5.96" (15.1 cm)

Depth: 5.96" (15.1 cm)
with Bracket 6.32" (16.1 cm)

Weight: 900MA: 6.0 lbs (2.7 kg) MAM: 7.0 lbs (3.2 kg)
1000MA: 10 lbs (4.5 kg) MAM: 11 lbs (5.0 kg)

Ports: 7/8"-14 UNF-2B (SAE J1926)

Service Clearance (Top): 900MA: 5.0" (12.7 cm)
1000MA: 10.0" (25.4 cm)

Vacuum Installation Recommended

Maximum Head Pressure: 15 psi (1.03 bar)

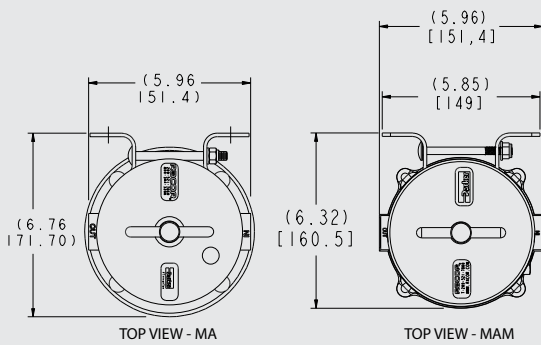
Max Flow Rate: 900MA/M: 90 gph (341 lph)
1000MA/M: 180 gph (681 lph)

Create a Part Number

Housing Type	Turbine Model - Marine 90 GPH (341 LPH) Clear Bowl/Heat Shield	Turbine Model - Marine 180 GPH (681 LPH) Clear Bowl/Heat Shield	Assembly Options	Metal Bowl Option	Probe - WIF Probe	Filtration Rating		
	900MA	1000MA					M	
	1000MA		P			2	10	30
								10

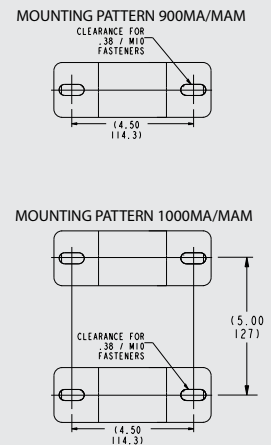
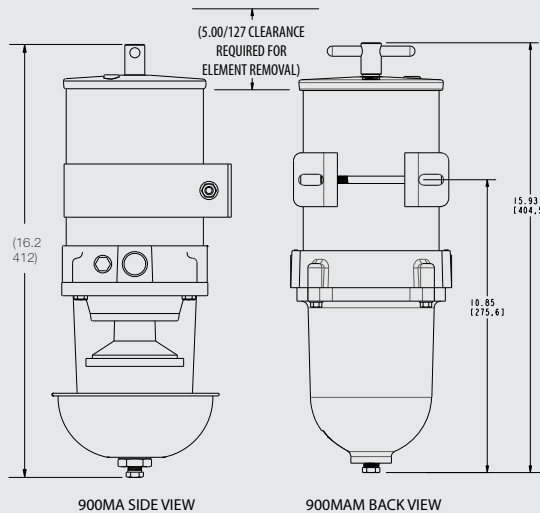
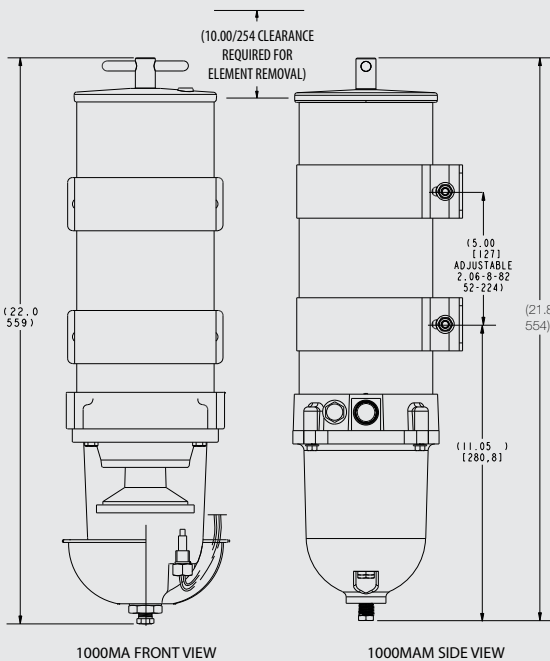
RACOR®

Dimensions:



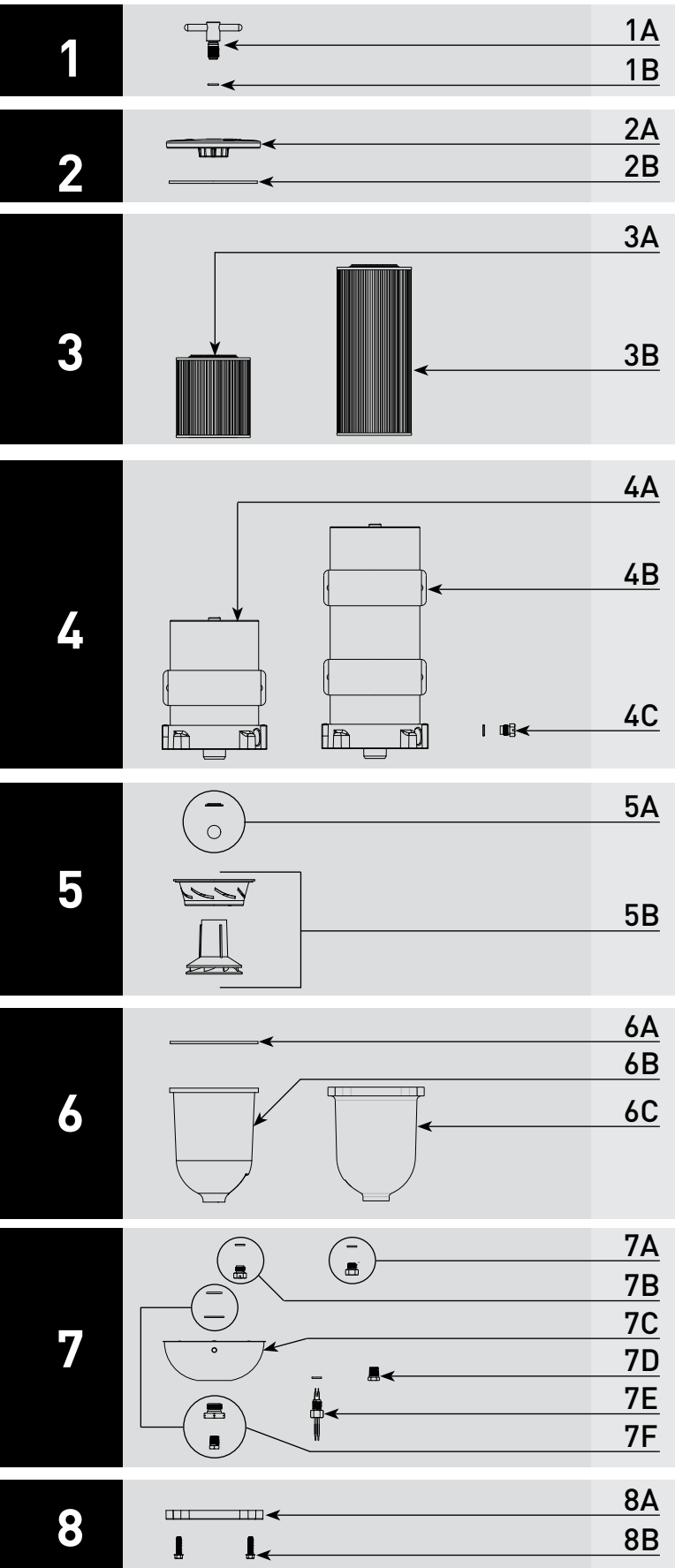
ASSEMBLY	DESCRIPTION
900MA2	900 Marine Turbine Assy., 2 micron Filter
900MA10	900 Marine Turbine Assy., 10 micron Filter
900MA30	900 Marine Turbine Assy., 30 micron Filter
900MAM2	900 Marine - Metal Bowl - Turbine Assy., 2 micron Filter
900MAM10	900 Marine - Metal Bowl - Turbine Assy., 10 micron Filter
900MAM30	900 Marine - Metal Bowl - Turbine Assy., 30 micron Filter
1000MA2	1000 Marine Turbine Assy., 2 micron Filter
1000MA10	1000 Marine Turbine Assy., 10 micron Filter
1000MA30	1000 Marine Turbine Assy., 30 micron Filter
1000MAM2	1000 Marine - Metal Bowl - Turbine Assy., 2 micron Filter
1000MAM10	1000 Marine - Metal Bowl - Turbine Assy., 10 micron Filter
1000MAM30	1000 Marine - Metal Bowl - Turbine Assy., 30 micron Filter
1000MAP10	1000 Marine - Water Probe - Turbine Assy., 10 micron Filter

SINGLE ASSEMBLY



PARTS

Turbine - 900/1000MA-MAM



Part #		Description
1A	RK23183	Stainless Steel T-handle Kit - Includes 1B <i>Optional</i> - Stainless Steel T-handle Vacuum Gauge
	RK19671	
1B		T-handle O-ring - Included in 9A
2A	RK 11-1933-04	900/1000MA-MAM Lid Kit - Includes 1B & 2B
2B		Lid Gasket - Included in 9A
3A	2040V2	900MA/MAM Replacement Element 2 micron - Includes 1B & 2B
	2040V10	900MA/MAM Replacement Element 10 micron - Includes 1B & 2B
	2040V30	900MA/MAM Replacement Element 30 micron - Includes 1B & 2B
3B	2020V2	1000MA/MAM Replacement Element 2 micron - Includes 1B & 2B
	2020V10	1000MA/MAM Replacement Element 10 micron - Includes 1B & 2B
	2020V30	1000MA/MAM Replacement Element 30 micron - Includes 1B & 2B
4A		900/1000MA-MAM Body/Housing - Not Sold Separately
4B	RK11-2005	Bracket Kit - (Black) Includes Bolt, Washer, and Nut
4C	RK 11-1679	Plastic Feed-thru Plug Kit (O-ring Included in 9A)
		Metal Feed-thru Plug - Contact Technical Support
5A	RK 11028B	Checkball and Gasket Kit (Gasket Included in 9A)
5B	RK 11-1939	Centrifuge and Baffle Kit - Includes 5A & 6A
6A		Bowl Gasket - Included in 9A
6B	RK 11-1606-1	MA Bowl Kit (Clear) - Includes 6A, 7B & 7F (Gasket & O-ring only)
6C	RK 11734-03	MAM Bowl Kit (Metal) - Includes 6A, 7A, 7D and 8B
7A	RK 20022	Metal Bowl Plug Kit (MAM) (O-ring Included in 9A)
7B	RK 20126	Plastic Bowl Plug Kit (MA) (O-ring Included in 9A)
7C	RK 11868	Heat Deflector Kit (MA) - Includes 7F
7D		Drain Plug (MAM) - Contact Technical Support
7E	RK 21069	WIF Probe - 1/2"-20 UNF - 2-wire (MA) - Requires 9C WIF Probe - Stainless Steel - 1/2"-20 UNF - 2-wire (MAM) - Requires 9C
	RK23191	
7F	RK 11-1910	Drain Plug Kit (MA) (Gasket & O-ring Included in 9A)
8A	RK 11037A-01	Bowl Ring Kit (For MA Only - White) - Includes 6A & 8B
8B	RK 11542	Cap Screw Bowl Ring Fasteners (set of 4)

Accessories and Parts Available - Not Shown

9A	RK 11-1404	Complete Seal Service Kit - 900/1000 Series Filters
9B	RK19669	Vacuum Gauge (30" Hg) - 3 needles: Theshold (red), Max Change Out (Red - Adjustable), Gauge (Black) Compound Gauge - pressure (15 PSI) and vacuum (30" Hg)
	RK19667	
9C	RK 14329	Water Detection Module - 12 vdc Water Detection Module - 24 vdc
	RK 14321	
9D	RK11-1978	Checkball Spring Kit - Use with Primer Pump Kit 9E
9E	RKP1912	Primer Pump Kit - 12 vdc - Adds 3.25" (8.26 cm) to Height Primer Pump Kit - 24 vdc - Adds 3.25" (8.26 cm) to Height
	RKP1924	

Model
MA



Model
MAM

